

Installation Procedure

for UTC, Blanket Buddy Rollers and Daisy Above Ground Kit

Instructions

1) Extend the roller out evenly so that it is approximately 300mm wider than the widest point of the pool. Lock the sections in place by installing the three stainless steel self-tapping screws equal distance around the centre tube, 100mm in from the end, from each side. Place the tube evenly across the pool.

2) UTC: Place the end slug on the ground with the extended aluminium shaft upwards. Clip each handwheel to the end slugs by pressing firmly. Insert the 3 screws & tighten. Slide the leg onto the aluminium axle, ensuring that the extended section on the leg top is facing the handwheel. Tap the end plugs into each end of the end slugs. Do not hit hard. Put the leg into the roller foot. Press the anti-skid plugs into the holes under the foot. Blanket Buddy: Slide crank into each end of the roller - put into yoke and insert pin.

3) Slide the end slug (or crank) into each end of the roller. Using the indicator marks on the outside of the end slugs, drill 3 holes and install the three screws on each end, 35mm in from the end of the tube.

4) Feather Plug Method (if provided): With your roller sitting at right angles to your pool, and evenly centred, mark the centre of the roller and drill a 6mm hole. Measure out 600mm from each side of this hole and drill on the same centreline. Continue this procedure until you have reached the outside of your pool.

5) Tap your feather plugs into these holes.

6) Wrap one end of the cord around the feather plug and pull gently into place (the cords will self lock into the feather plug - a locking knot may be required). In line with each feather plug, punch a hole in the blanket approximately 100mm in from the end of blanket with the punch provided. Install the eyelets by placing the male section on the ground, place the blanket on top, place the female section on the top of that and gently tap together. Tie the cord to the blanket. Working one way, evenly tie the rest of the cords to the blanket. Then, working from the centre again, tie the remainder of the cords to the blanket. If your pool has a curved end, then use a maximum of 3-4 anchoring points.

Overcover

1) Cut the overcover to size (ie: over the roller between the handwheels)

2) Make a hole in each corner of the overcover and in the centre on each side as diagram below, so you have a total of 6 holes.

3) Place the male blue eyelet section on the ground.

4) Place the hole in the overcover over the male eyelet section.

5) Place the female section on top of the male section and tap together with a hammer.

6) Repeat for the other 5 holes

7) Tie the cord to one of the middle eyelets

8) Place the metal hook of the elastic strap in an end eyelet and close it with pliers so it cannot come off. *NOTE* Never overextend elastic straps as injury may result

9) Repeat step 8 for the other end of the strap

10) Repeat step 8 and 9 for the other end of the overcover

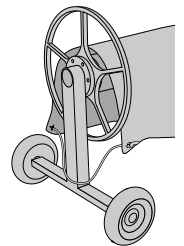
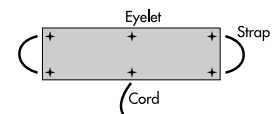
11) Place overcover on top of roller and wrap one strap around handwheel

12) Place the other strap over the handwheel

13) Tie the middle cord

14) Your overcover is now installed

15) Always use your overcover when you blanket is rolled up on your roller.



Above Ground

1) On last upright before curve at end of of pool, mark holes for bracket, as high as possible and at the same height at either side of pool.

2) Drill the 12 holes with drillbit (provided)

3) Secure each bracket with 6 stainless steel screws

4) Slide extended leg through bush and onto the post. For Blanket Buddy, insert yoke into flared leg, drill & secure with screw.

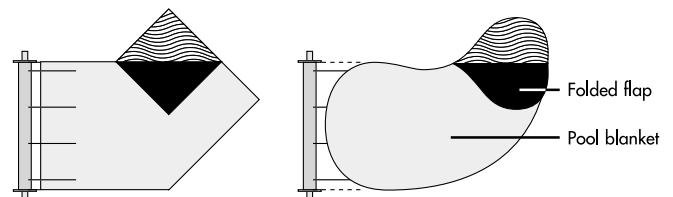
5) Continue installing roller as per prior procedure

6) Never stand on or put excessive weight on brackets, they are designed for roller use only.

* Note to make roller storage easier, leave feet behind pool so if you decide to remove

Tip for Use

1. To prevent damage to your blanket, do not drag the blanket over abrasive pool decking or any sharp surfaces.
2. When rolling up the blanket onto the roller, ensure that it rolls up evenly.
3. Roll your blanket over the top of your roller when using.
4. Fold in any flaps or step areas on the blanket before rolling it up. This will ensure that you don't put excessive force on the blanket and allow it to move easily across the water and through the narrowest part of the pool towards the roller.
5. When putting the blanket back onto the pool, roll the blanket out slightly, fold one corner over onto itself (to create a bow effect), pick up the other corner and walk slowly down the side of your pool.
6. Do not sit or step on your roller. If the tube gets bent, it cannot be repaired.
7. On irregular shaped pools, the fold in odd shaped extrusions as shown:
8. Always cover your roller with protective overcover supplied.



Warranty

To ensure receipt of the benefit of this warranty, complete this section upon the purchase and retain with purchase receipt and warranty form.

Purchaser: _____ Date: _____

Address: _____

Phone: _____ City/State: _____

Postcode: _____ Purchased from: _____

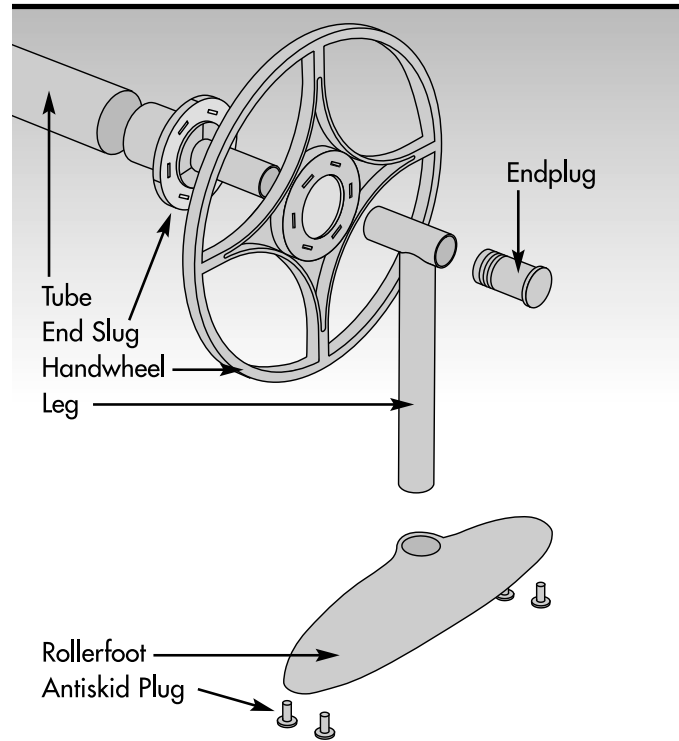
This warranty covers the purchaser for defective material or workmanship on a pro rata basis as set out below. The manufacturer will repair or replace the product upon inspection at their premises. The warranty will be void if the purchaser fails to comply with the manufacturers installation instructions.

Buddy & UTC Rollers: 5 Year, Year by Year Pro rata

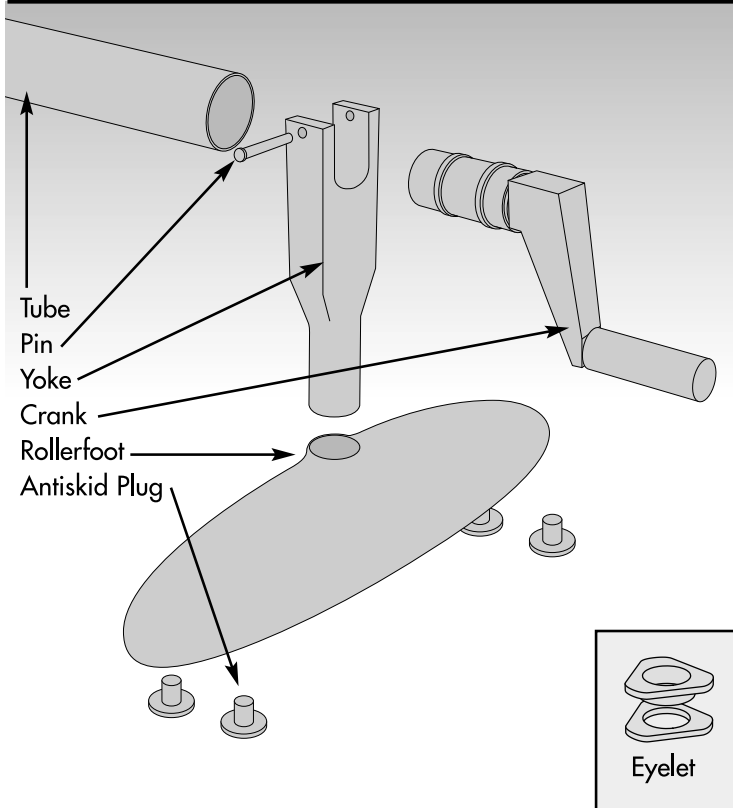
Installation Procedure

for UTC, Blanket Buddy Rollers and Daisy Above Ground Kit

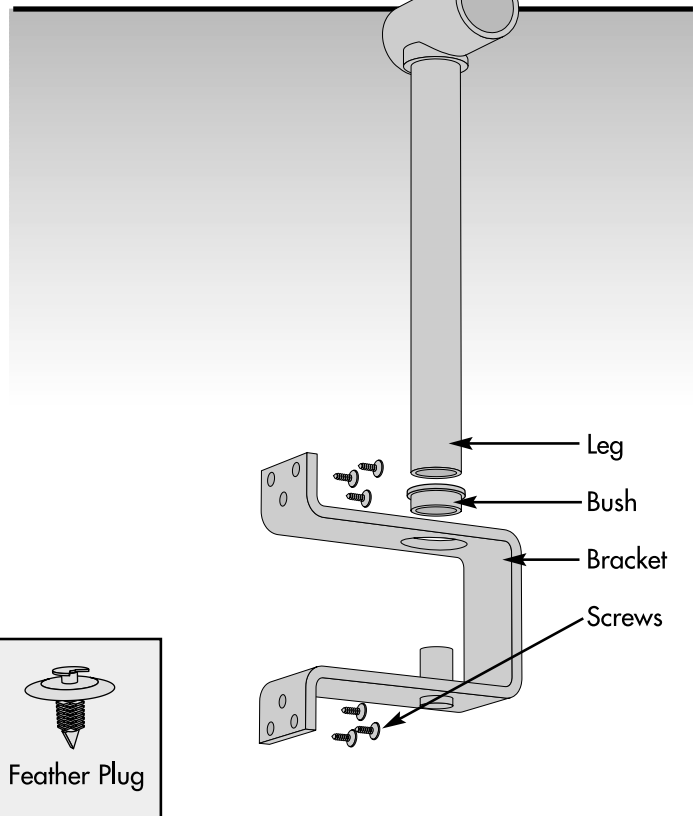
UTC



Blanket Buddy



Above Ground Kit



Perth • Sydney • Brisbane • Melbourne • International
 Australia's largest supplier of pool blankets and rollers
 Call 1300 551 811 Fax 1300 885 242

daisy
 POOL COVERS
 www.daisypoolcovers.com.au